

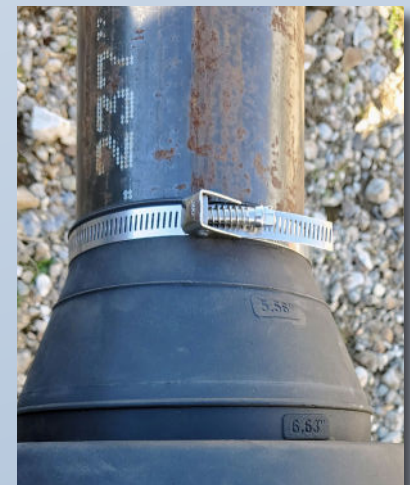


APS manufactures full, molded, conical End Seals with easy to read size indicators for versatile installation on a variety of carrier sizes. Each End Seal comes with a pair of quick adjust Stainless Steel band straps that cover all sizes within the range, so no custom-made items are needed. The End Seals are manufactured from 1/8" thick durable, chemical resistant EPDM rubber.

- 5 different sizes available for casings ranging from 4.50" – 24.00" OD and can accommodate carrier sizes from 0.84" – 17.40" OD.
- The closed conical feature allows for low storage cost as each size can cover a range of carriers.
- The cone section of the seal has markings for actual diameter sizes in inches on one side and mm on the reverse. Find your carrier size labeled on the cone and cut-off the end. The carrier will easily slide through the new opening for an easy installation.

- Easily slips over the casing end.
- Each End Seal is supplied with a pair of quickly adjustable Stainless Steel band straps that are each made to fit any sizes from the casing sizes down to the smallest carrier size. This prevents the need for any custom-made bands, and enables the product to be fully universal for any size within its range.
- After installation, the AMCE prevents the ingress of moisture and debris into your casing annular space without any seams to worry about.
- These end seals are shipped with a closed end, and can be used as a "night cap" over a casing to keep debris or animals out.

AMCE Specifications	
Material:	EPDM (60 Durometer)
Thickness:	1/8"
Hardware:	Stainless Steel band with 100% non-magnetic Worm Gear screw
Temperature Limits:	-20 to +230 F
Color:	Black
Tensile Strength:	1800 psi
Elongation:	300%

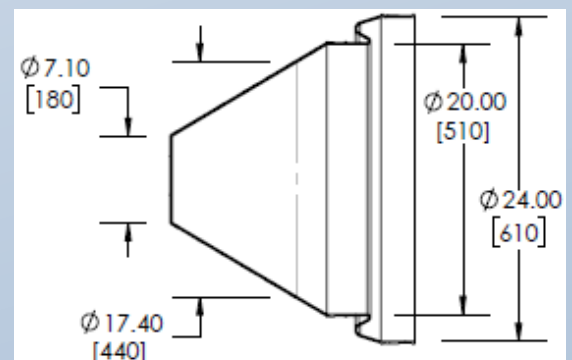
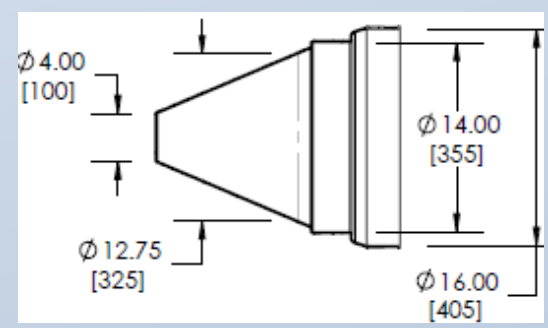
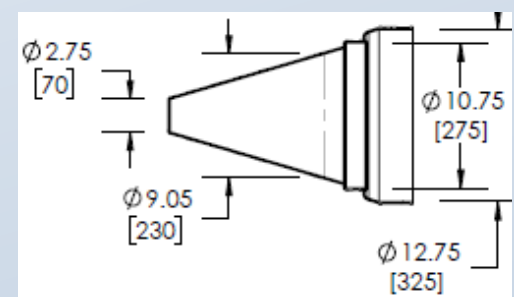
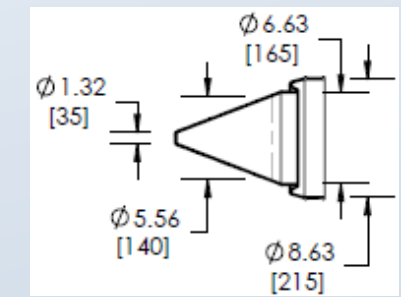
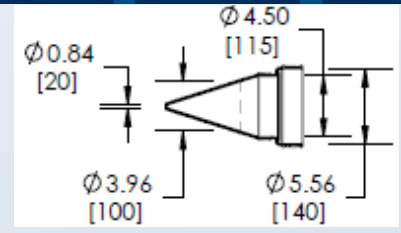


**FOR MORE INFORMATION
PLEASE CONTACT US
1-800-315-6009**



Each End Seal can accommodate installation on two different casing sizes. See chart below for actual sizes:

IPS/DIPS (in)	DN (mm)
0.84	20
1.32	35
1.90	50
2.38	60
2.75	70
2.88	75
3.50	90
3.96	100
4.00	100
4.50	110
4.80	120
5.56	140
6.63	170
7.10	180
8.63	220
9.05	230
10.75	275
11.10	280
12.75	325
13.20	335
14.00	355
15.30	390
17.40	440



FOR MORE INFORMATION
PLEASE CONTACT US
1-800-315-6009

